

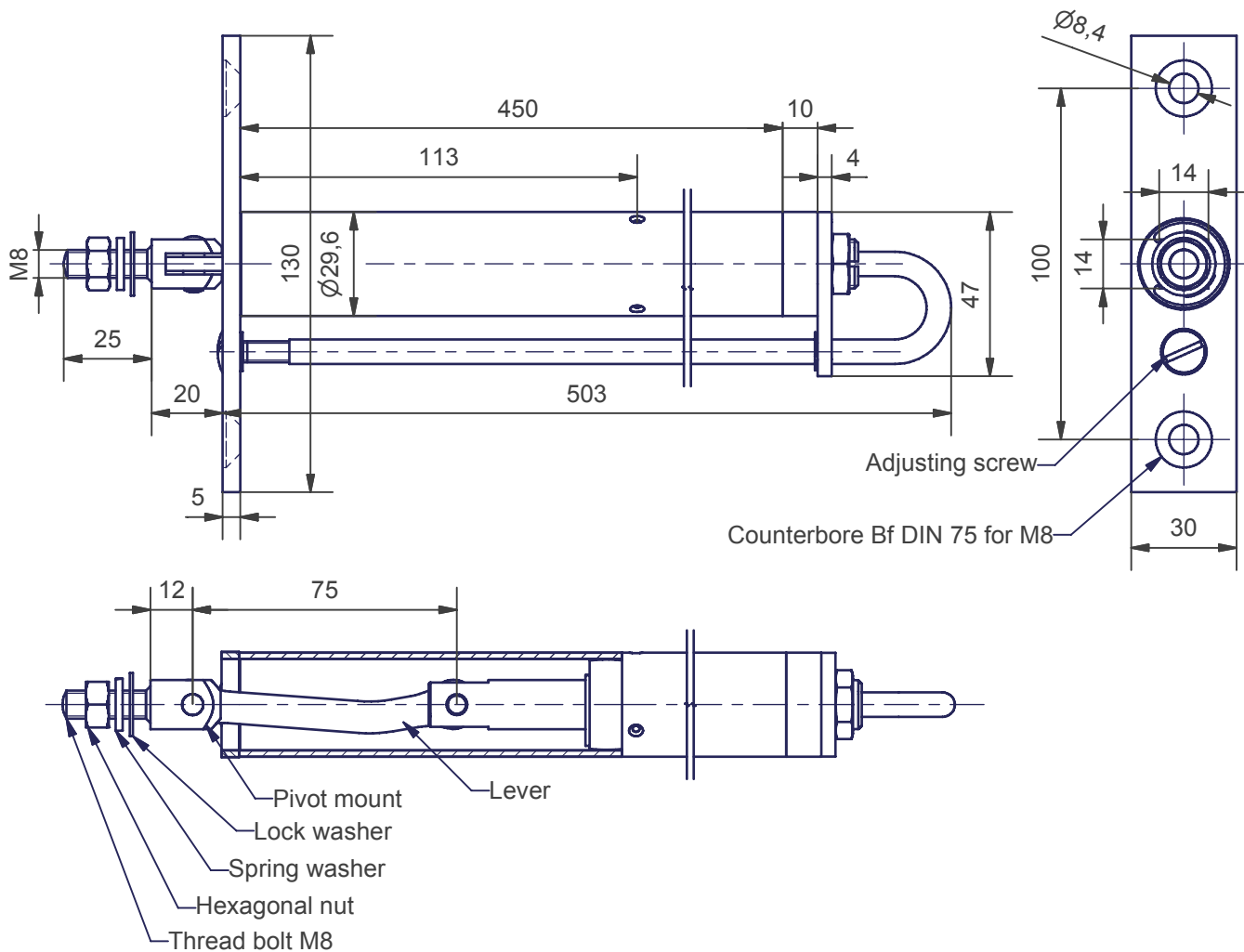
ATS-500-30-K

Door closer

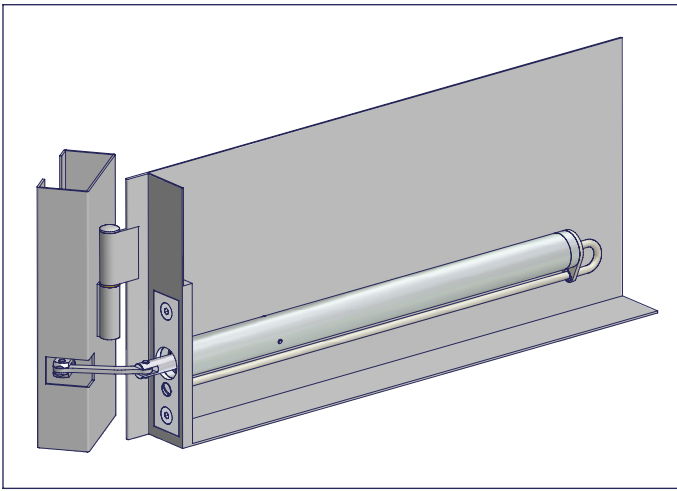
SCHNETZ



Door closers



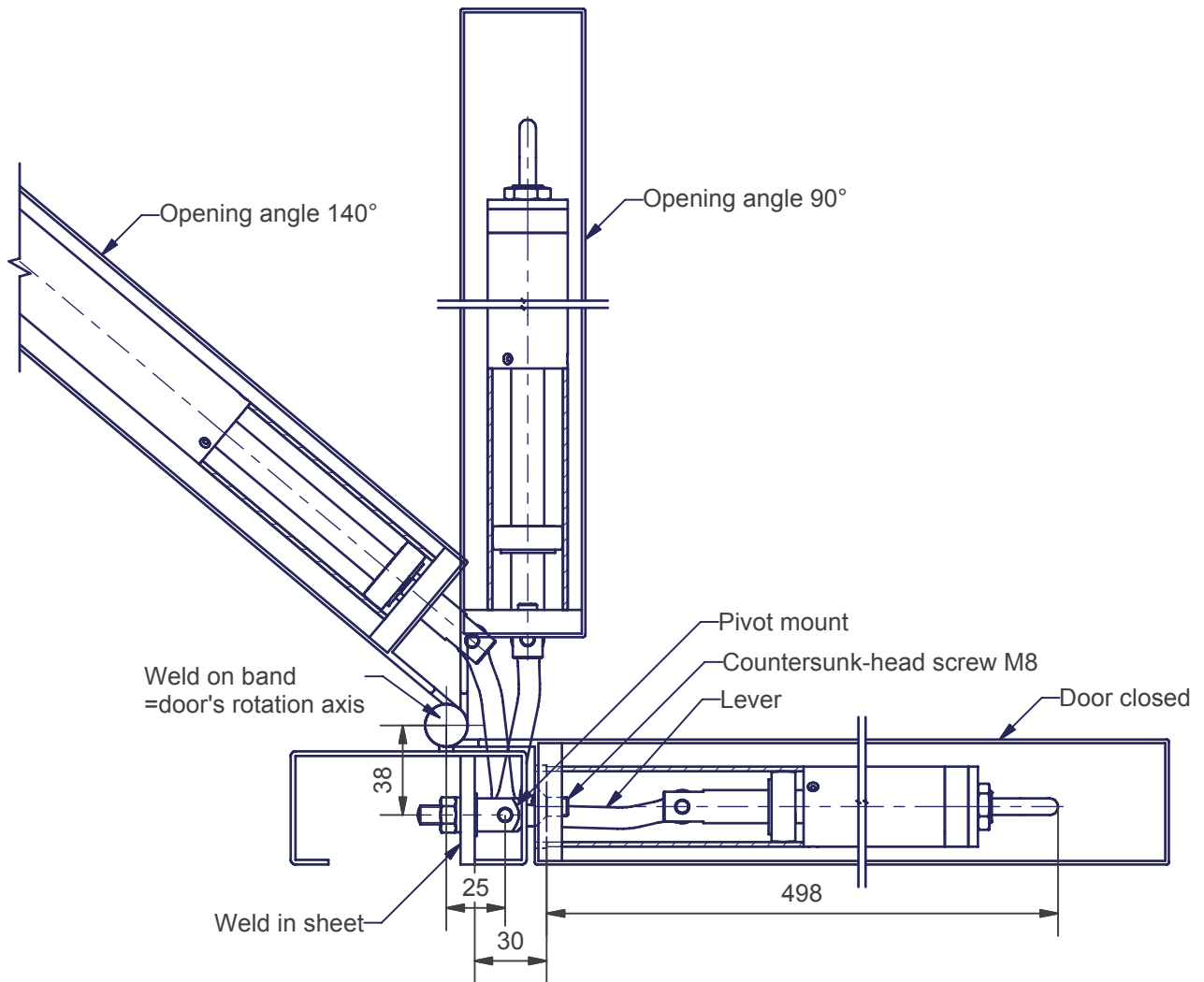
Specification	Automatic door closer with hydraulic damping
Application	Left or right hinged lift doors with weld on bands
Mounting	In a recess of the door's bottom (look at the following mounting instructions)
Opening force	21 N (applied to 1m radius)
Closing force	9 N (applied to 1m radius)
Door width	1000 mm max
Opening angle	140°
Ambient temperature	-15 °C up to +40 °C
Weight	1,78 kg



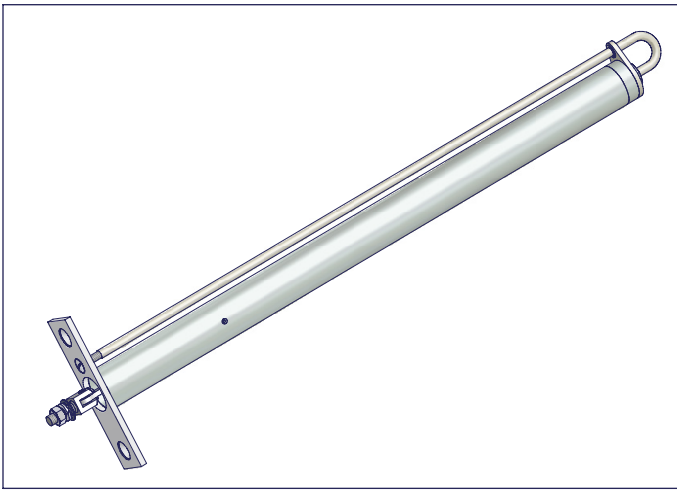
Mounting instructions

ATS-500-K
ATS-500-30-K

SCHNETZ



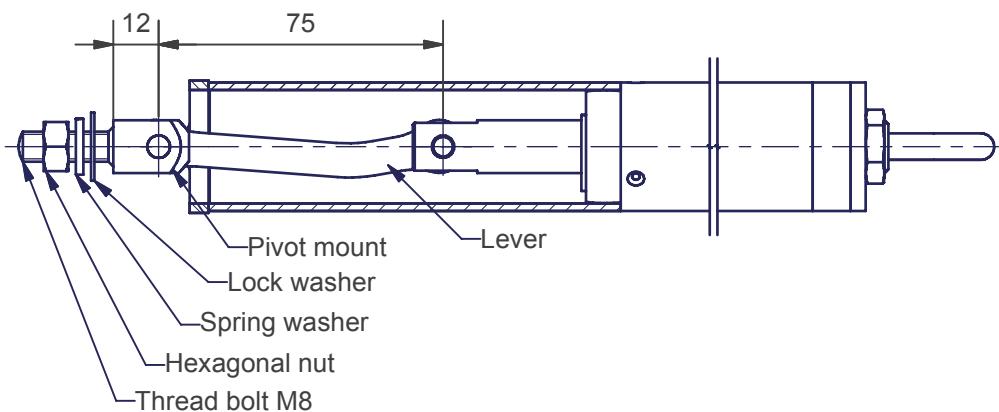
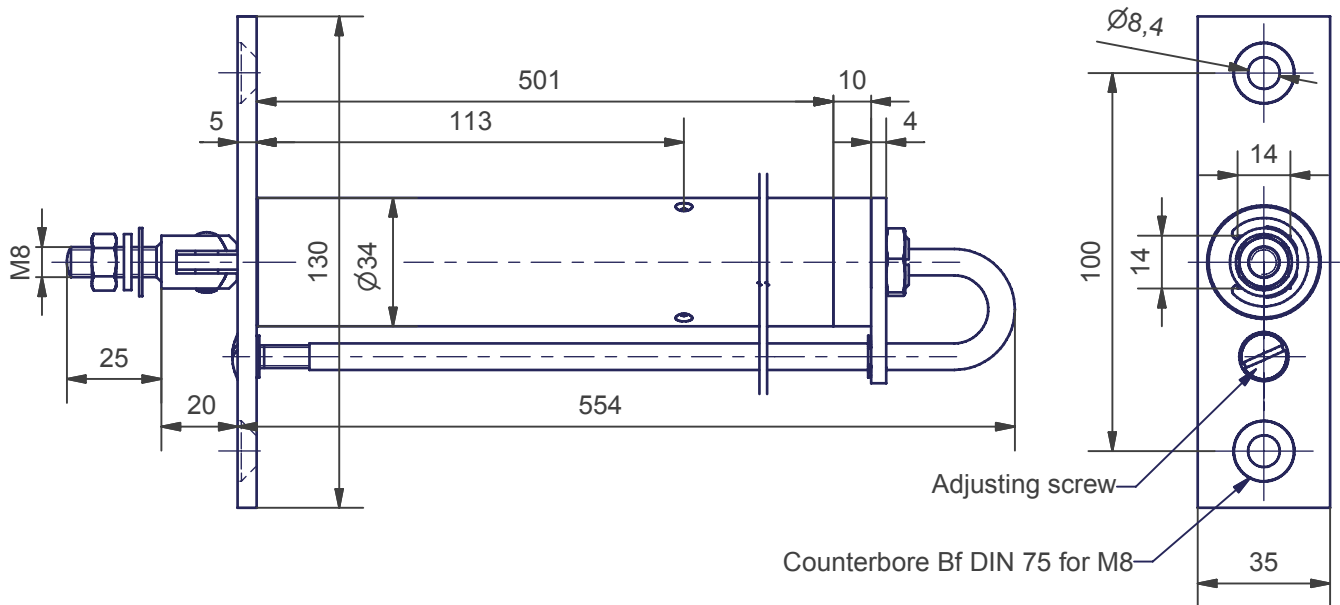
Fixation of tube	With 2 pcs. countersunk-head screw M8 at front sheet of door closer
Fixation of pivot mount	Turn pivot mount with an open-end wrench, size 14 until it's slot lies horizontal and the lever's knee points away from the door's rotation axis. Close the door slowly while putting the thread bolt M8x24 with it's lock washer into the drill hole $\varnothing 8,2$ of the weld in sheet. Put the hexagon nut with it's spring washer on to the thread bolt, while the door is closed and fasten it just moderate. Caution: lever must not pervert.
Start up	Open the door carefully as far as you catch hold of the pivot mount with the open end wrench, size 14. After that fasten the hexagonal nut with $20Nm \pm 2Nm$ firmly.
Adjustment	Regulate the final damping by turning the adjusting screw at the front sheet.



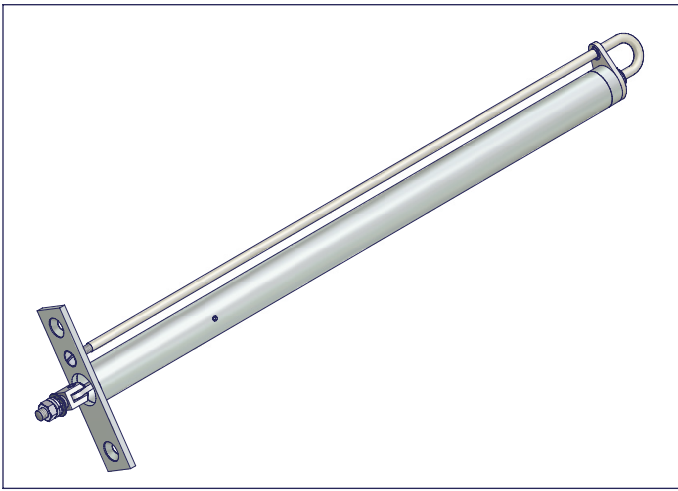
ATS-600-K

SCHNETZ

Door closer



Specification	Automatic door closer with hydraulic damping
Application	Left or right hinged lift doors with weld on bands
Mounting	In a recess of the door's bottom (look at the following mounting instructions)
Opening force	26 N (applied to 1m radius)
Closing force	15 N (applied to 1m radius)
Door width	1200 mm max
Opening angle	150°
Ambient temperature	-15 °C up to +40 °C
Weight	2,07 kg



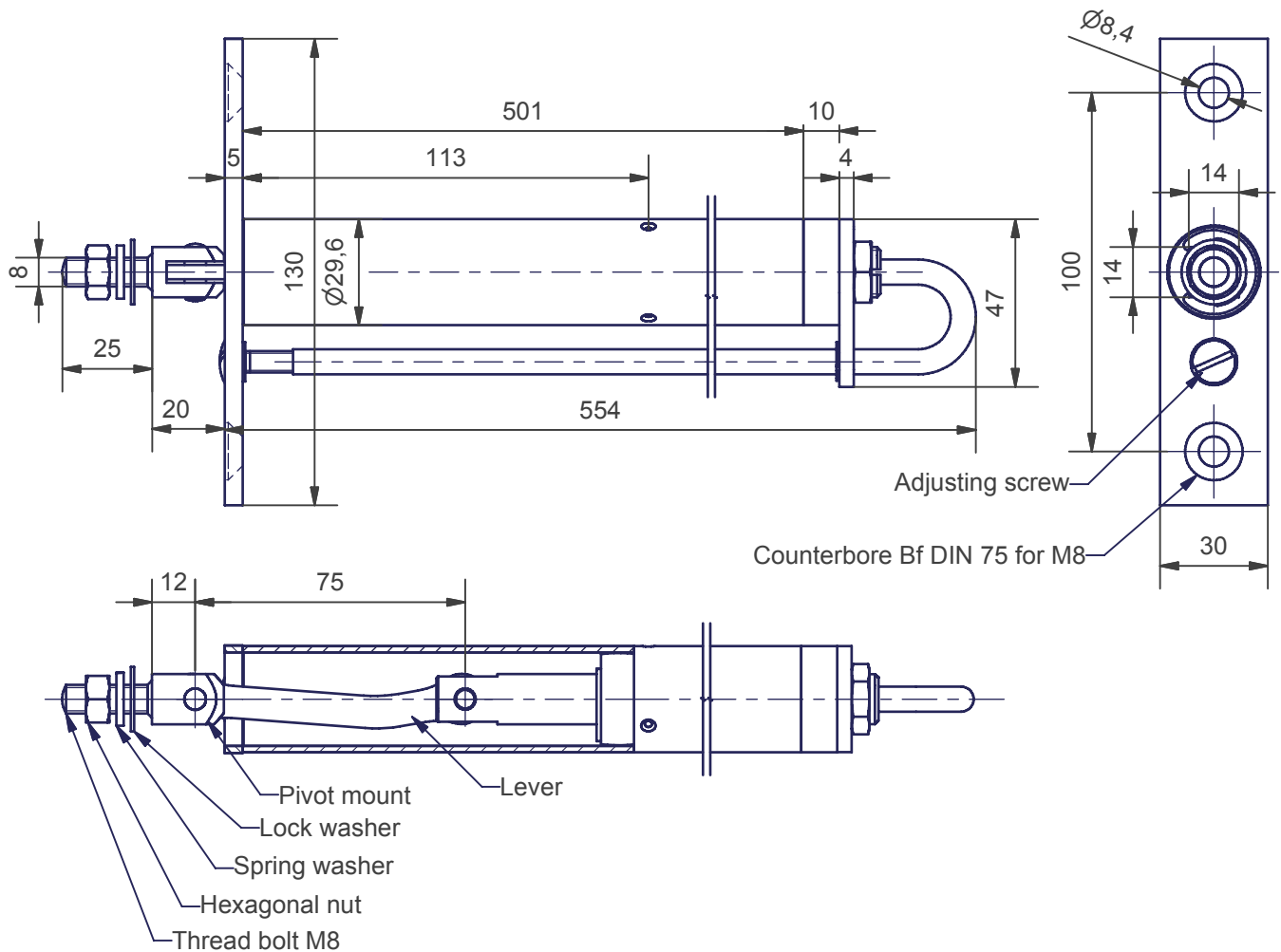
ATS-600-30-K

Door closer

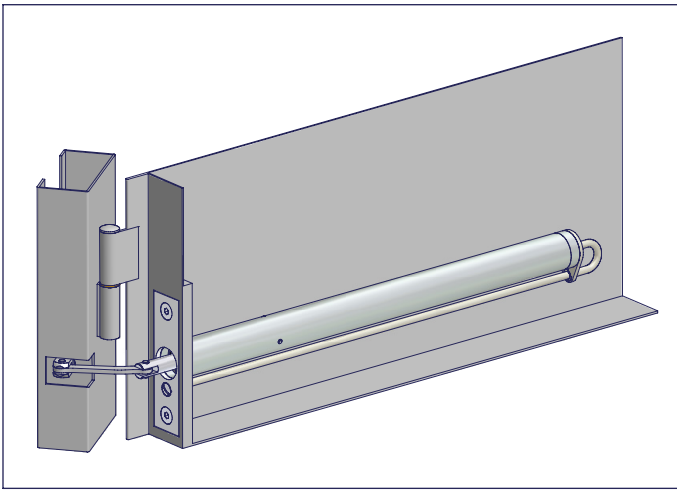
SCHNETZ



Door closers



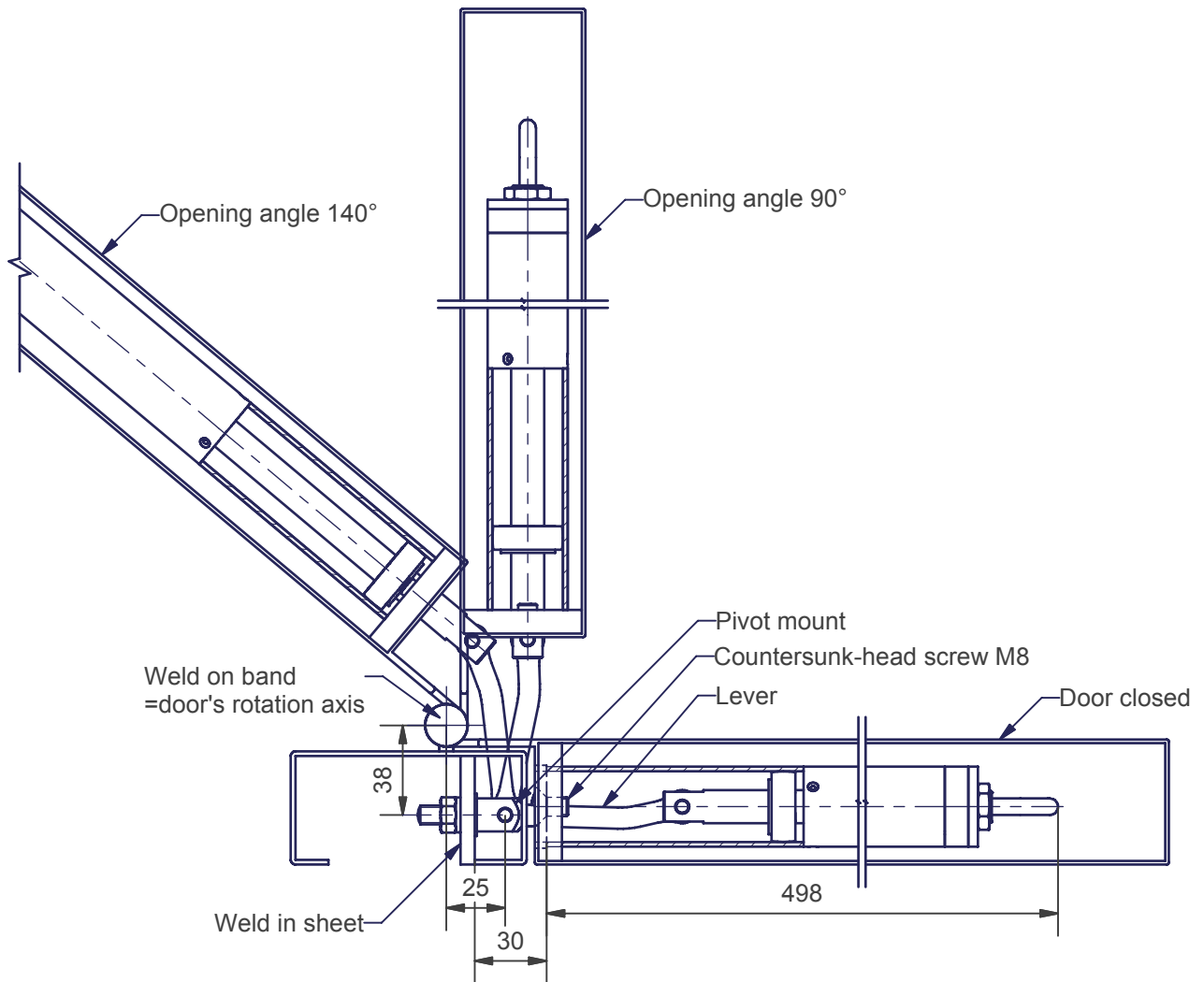
Specification	Automatic door closer with hydraulic damping
Application	Left or right hinged lift doors with weld on bands
Mounting	In a recess of the door's bottom (look at the following mounting instructions)
Opening force	27 N (applied to 1m radius)
Closing force	14 N (applied to 1m radius)
Door width	1200 mm max
Opening angle	150°
Ambient temperature	-15 °C up to +40 °C
Weight	2 kg



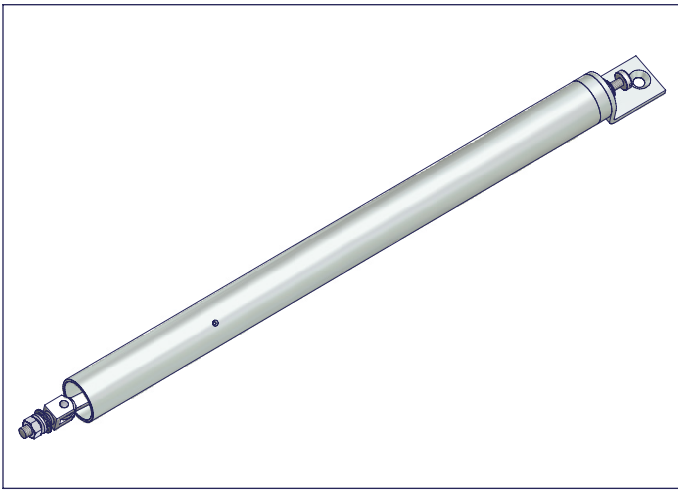
Mounting instructions

ATS-600-K
ATS-600-30-K

SCHNETZ



Fixation of tube	With 2 pcs. countersunk-head screw M8 at front sheet of door closer
Fixation of pivot mount	Turn pivot mount with an open-end wrench, size 14 until it's slot lies horizontal and the lever's knee points away from the door's rotation axis. Close the door slowly while putting the thread bolt M8x24 with it's lock washer into the drill hole $\varnothing 8,2$ of the weld in sheet. Put the hexagon nut with it's spring washer on to the thread bolt, while the door is closed and fasten it just moderate. Caution: lever must not pervert.
Start up	Open the door carefully as far as you catch hold of the pivot mount with the open end wrench, size 14. After that fasten the hexagonal nut with $20\text{Nm} \pm 2\text{Nm}$ firmly.
Adjustment	Regulate the final damping by turning the adjusting screw at the front sheet.



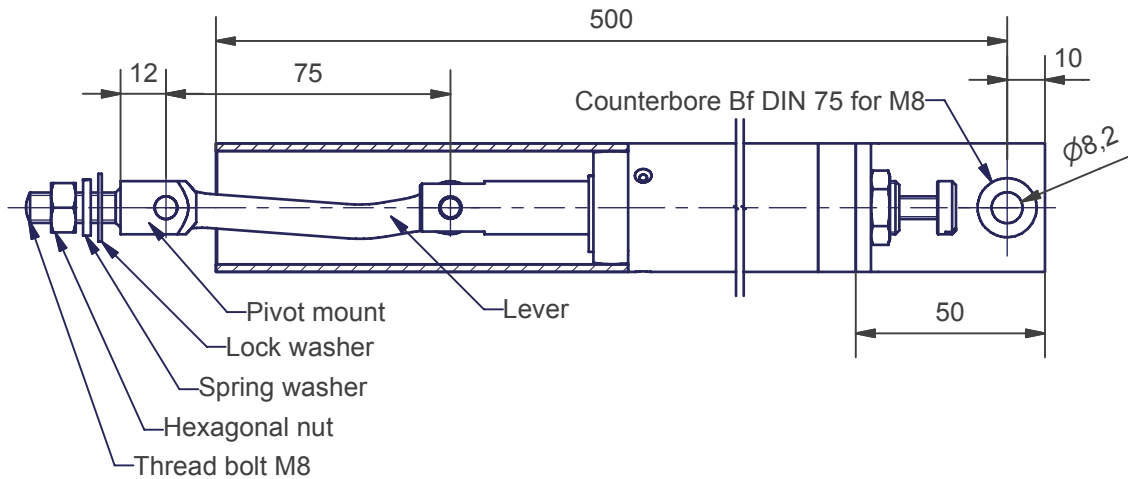
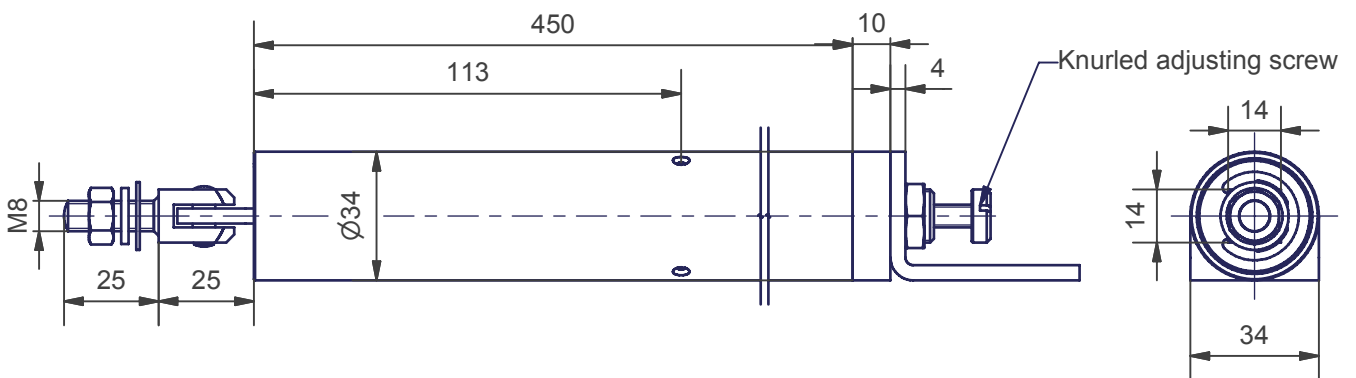
ATS-500-KO

SCHNETZ

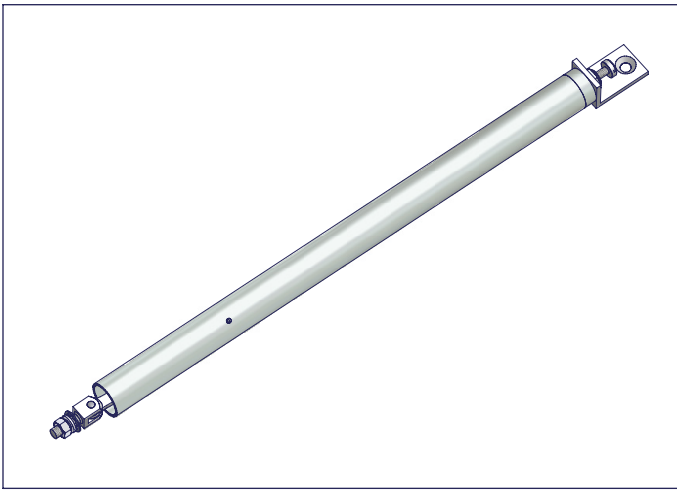
Door closer



Door closers



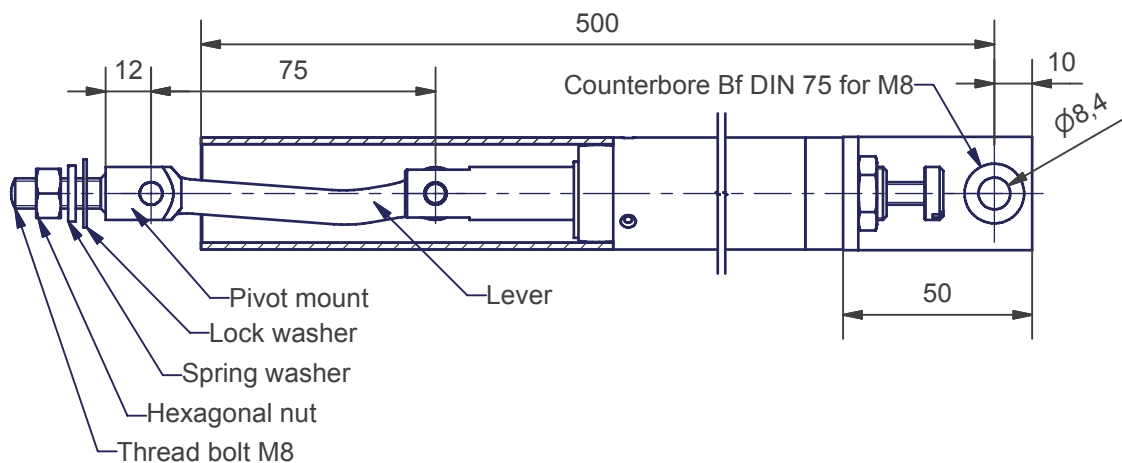
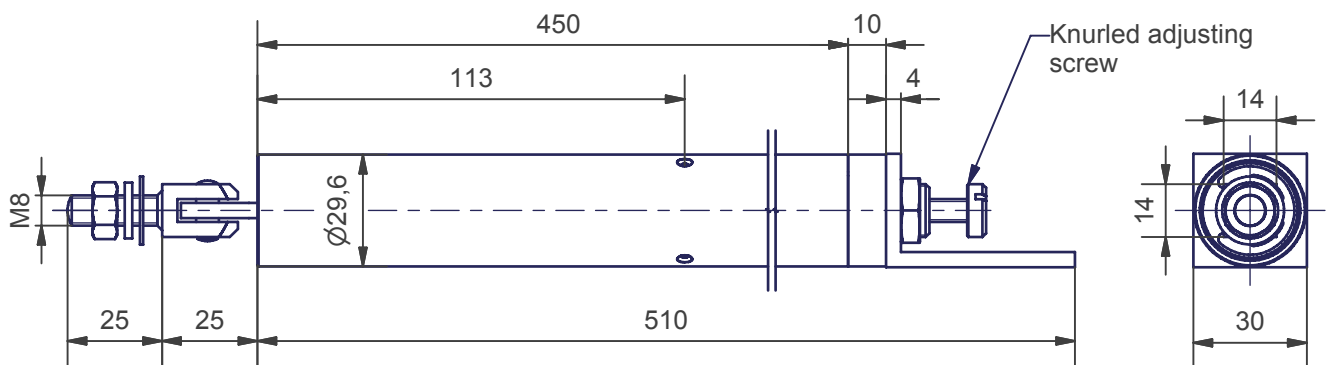
Specification	Automatic door closer with hydraulic damping
Application	Left or right hinged lift doors with weld on bands
Mounting	In a recess along the top edge of the door (look at the following mounting instructions)
Opening force	17 N (applied to 1m radius)
Closing force	8 N (applied to 1m radius)
Door width	1000 mm max
Opening angle	150°
Ambient temperature	-15 °C up to +40 °C
Weight	1,875 kg



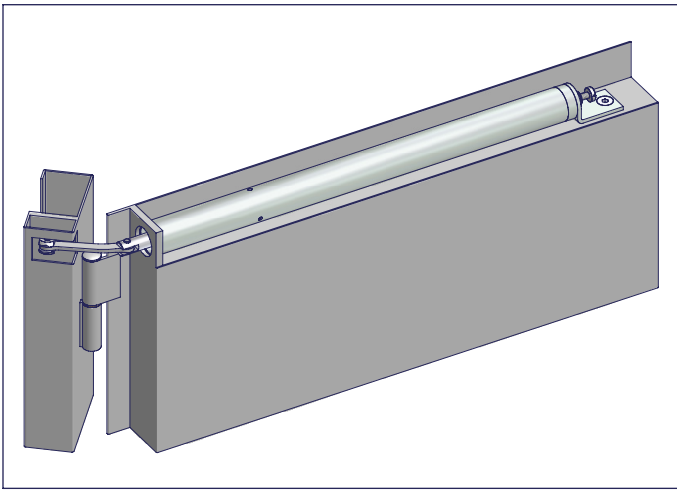
**ATS-500-30
-KO**

Door closer

SCHNETZ



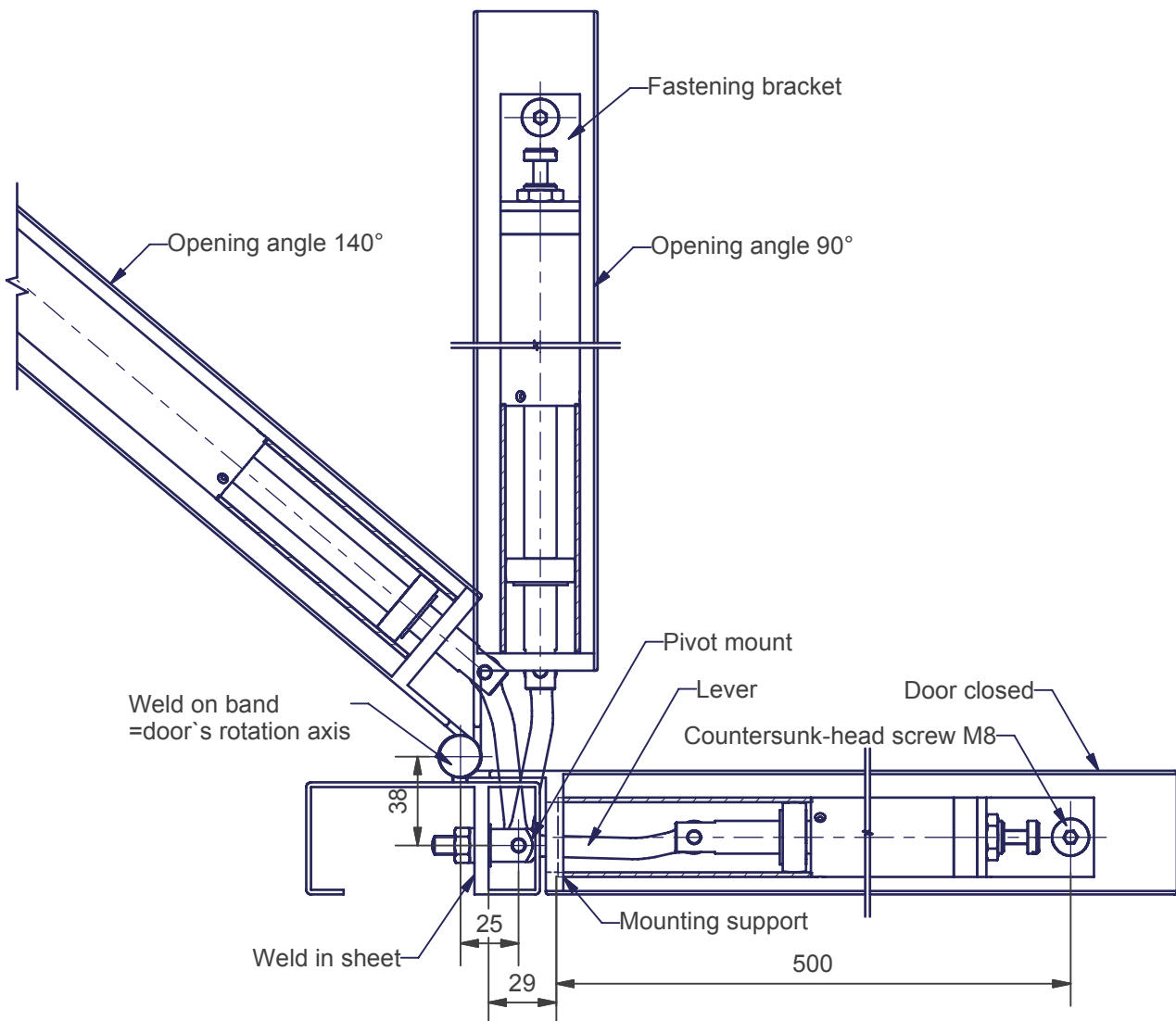
Specification	Automatic door closer with hydraulic damping
Application	Left or right hinged lift doors with weld on bands
Mounting	In a recess along the top edge of the door (look at the following mounting instructions)
Opening force	21 N (applied to 1m radius)
Closing force	8 N (applied to 1m radius)
Door width	1000 mm max
Opening angle	150°
Ambient temperature	-15 °C up to +40 °C
Weight	1,56 kg



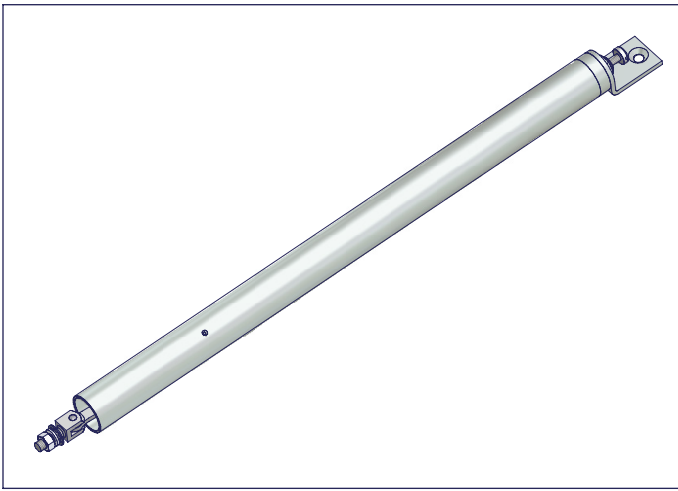
Mounting instructions

ATS-500-KO
ATS-500-30-KO

SCHNETZ



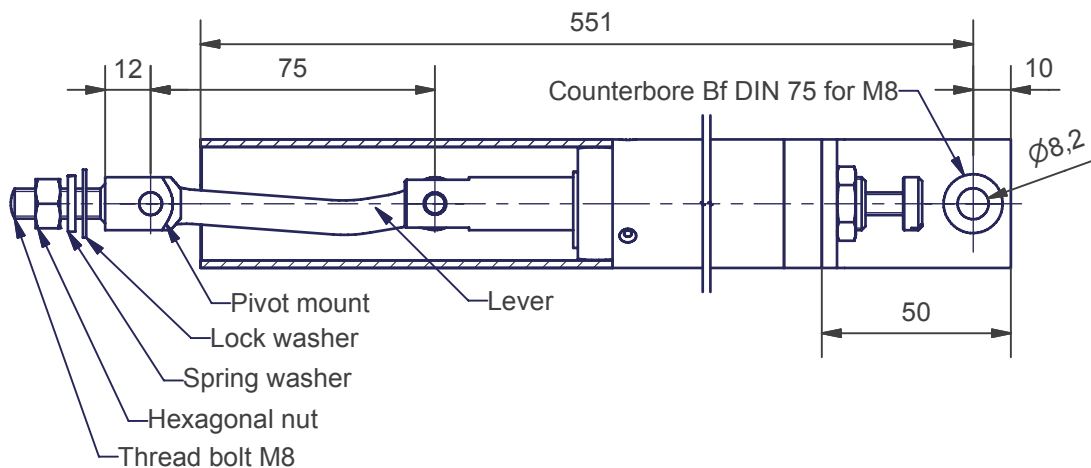
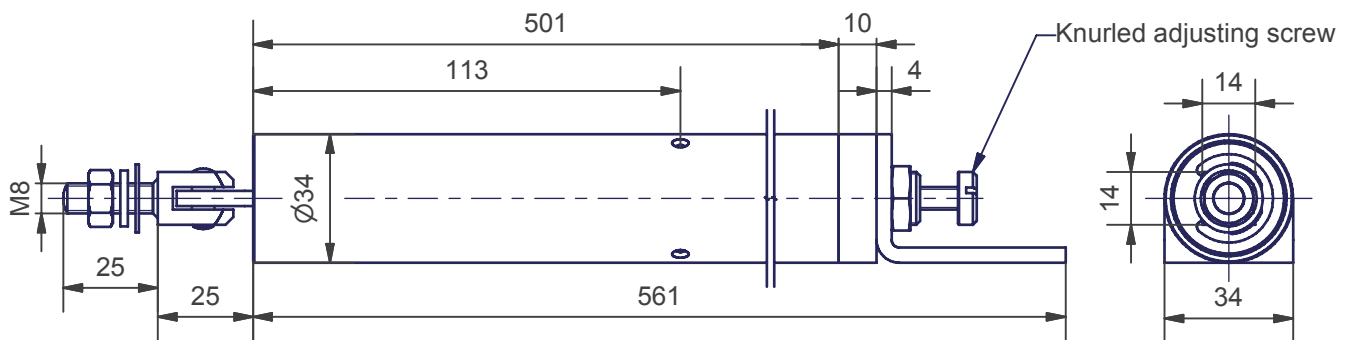
Fixation of tube	With countersunk-head screw M8 at fastening bracket and mounting support at open end of tube
Fixation of pivot mount	Turn pivot mount with an open-end wrench, size 14 until it's slot lies horizontal and the lever's knee points away from the door's rotation axis. Close the door slowly while putting the thread bolt M8x24 with it's lock washer into the drill hole $\varnothing 8,2$ of the weld in sheet. Put the hexagon nut with it's spring washer on the thread bolt, while the door is closed and fasten it just moderate. Caution: lever must not pervert.
Start up	Open the door carfully as far as you catch hold of the pivot mount with the open end wrench, size 14. After that fasten the hexagonal nut $20Nm \pm 2Nm$ firmly.
Adjustment	Regulate the final damping by turning the knurled adjusting screw at the end of the cylinder.



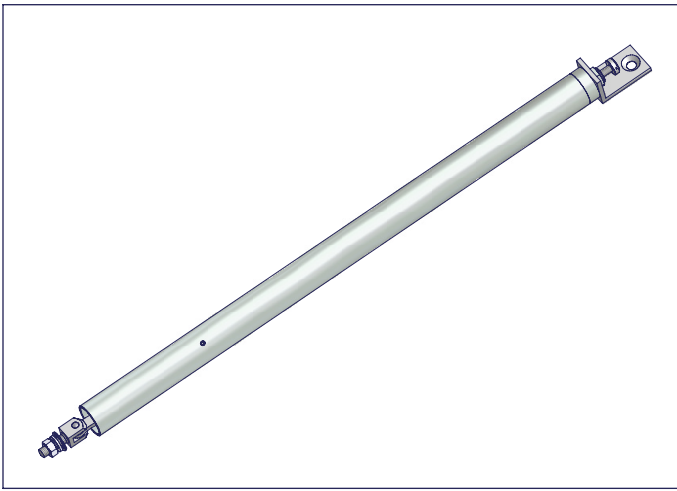
ATS-600-KO

SCHNETZ

Door closer



Specification	Automatic door closer with hydraulic damping
Application	Left or right hinged lift doors with weld on bands
Mounting	In a recess along the top edge of the door (look at the following mounting instructions)
Opening force	25 N (applied to 1m radius)
Closing force	13 N (applied to 1m radius)
Door width	1200 mm max
Opening angle	140°
Ambient temperature	-15 °C up to +40 °C
Weight	2,175 kg



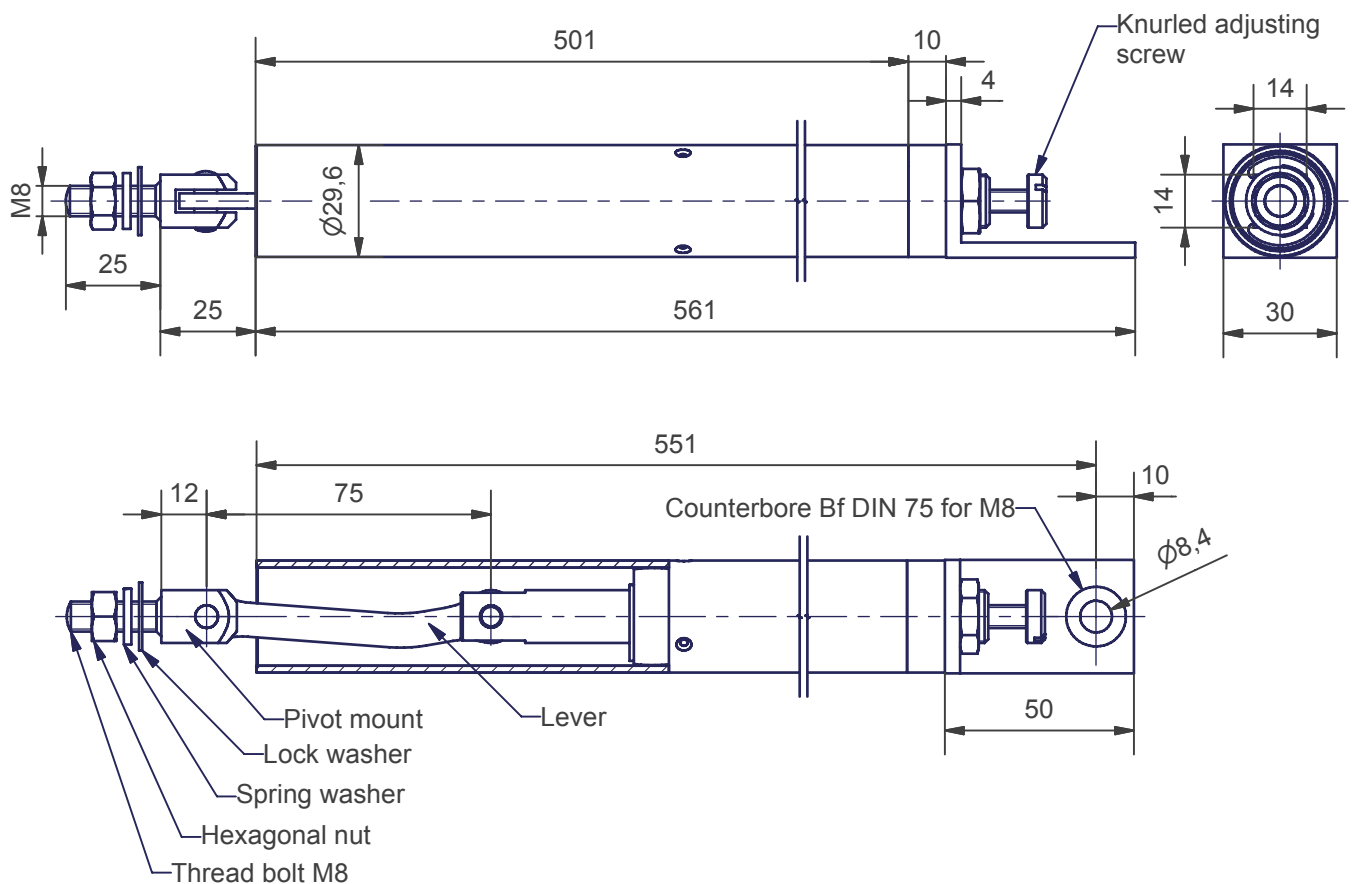
**ATS-600-30
-KO**

Door closer

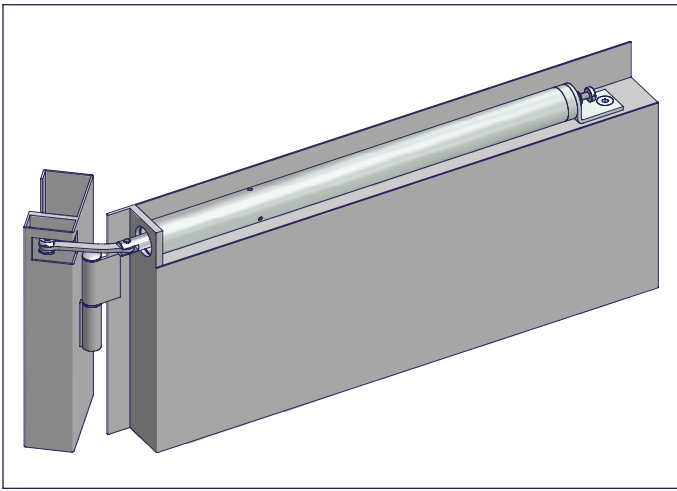
SCHNETZ



Door closers



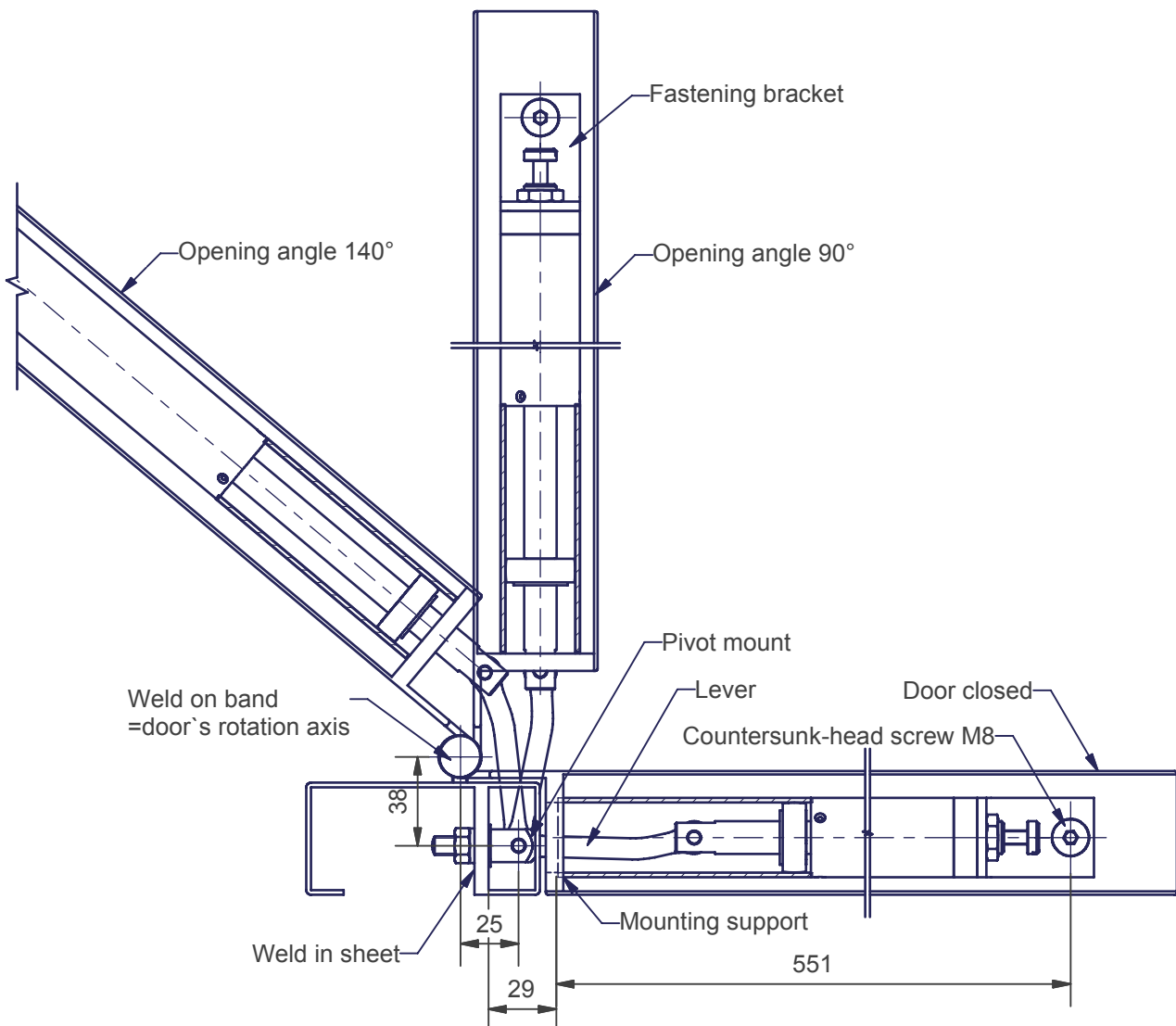
Specification	Automatic door closer with hydraulic damping
Application	Left or right hinged lift doors with weld on bands
Mounting	In a recess along the top edge of the door (look at the following mounting instructions)
Opening force	27 N (applied to 1m radius)
Closing force	14 N (applied to 1m radius)
Door width	1200 mm max
Opening angle	150°
Ambient temperature	-15 °C up to +40 °C
Weight	1,78 kg



Mounting instructions

ATS-600-KO
ATS-600-30-KO

SCHNETZ



Fixation of tube	With countersunk-head screw M8 at fastening bracket and mounting support at open end of tube
Fixation of pivot mount	Turn pivot mount with an open-end wrench, size 14 until it's slot lies horizontal and the lever's knee points away from the door's rotation axis. Close the door slowly while putting the thread bolt M8x24 with it's lock washer into the drill hole $\varnothing 8,2$ of the weld in sheet. Put the hexagon nut with it's spring washer on the thread bolt, while the door is closed and fasten it just moderate. Caution: lever must not pervert.
Start up	Open the door carefully as far as you catch hold of the pivot mount with the open end wrench, size 14. After that fasten the hexagonal nut $20Nm \pm 2Nm$ firmly.
Adjustment	Regulate the final damping by turning the knurled adjusting screw at the end of the cylinder.